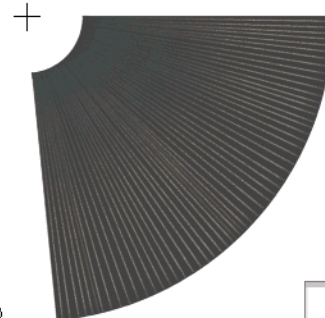


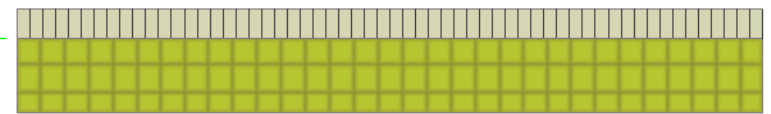
EX-1



EX-2

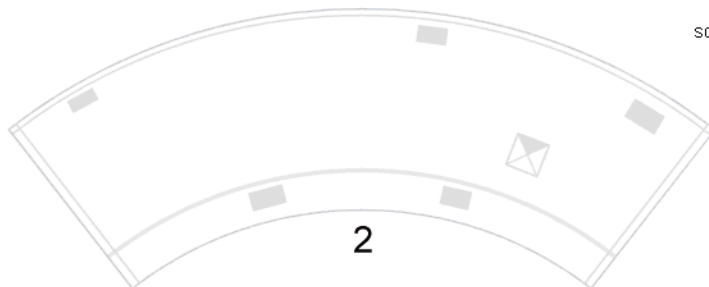


3



1a

score on backside,
fold up.



2



5

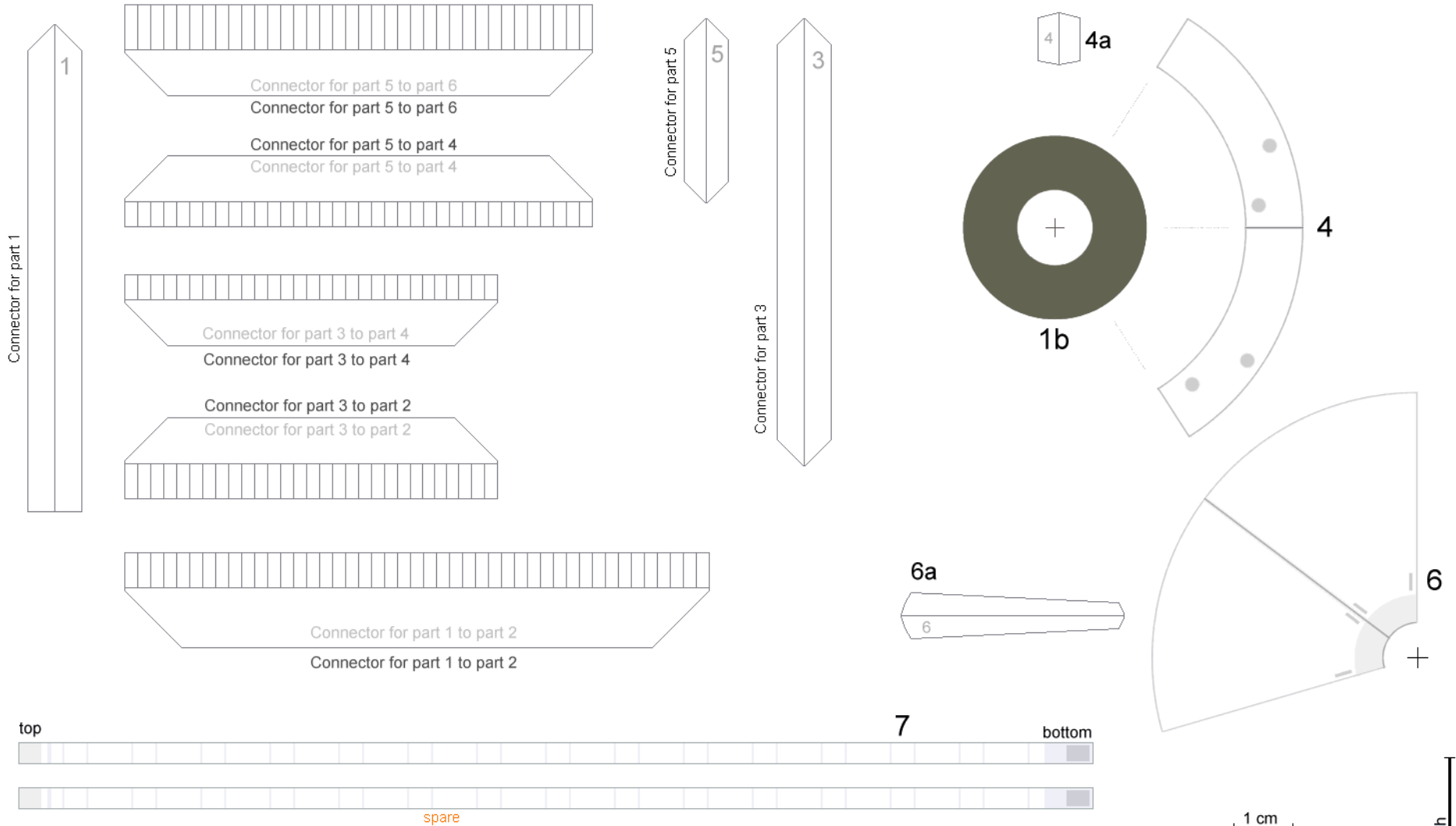
1 cm

1 inch

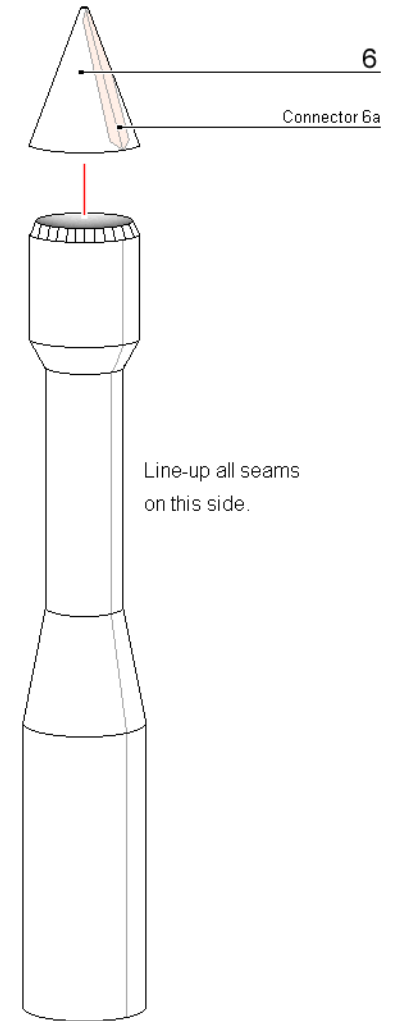
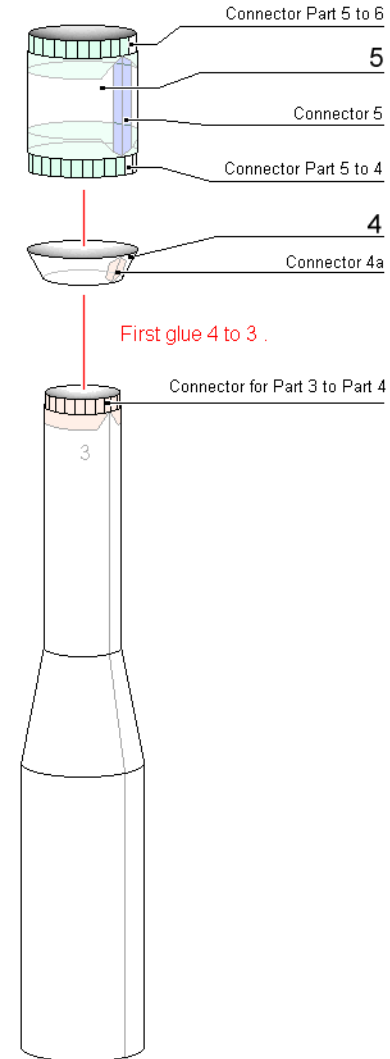
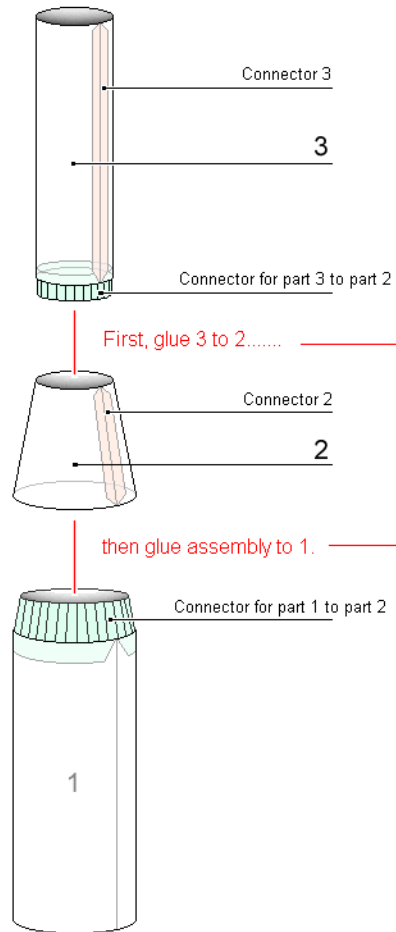
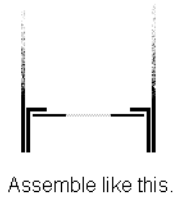
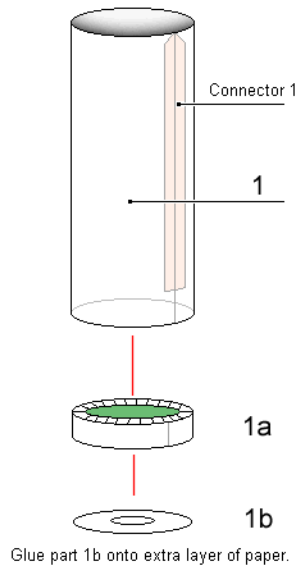
printing calibration

1 cm

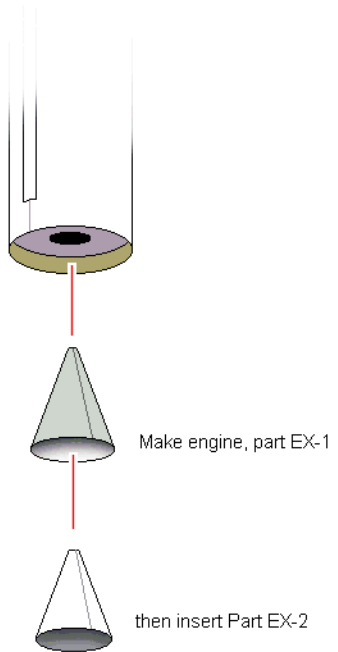
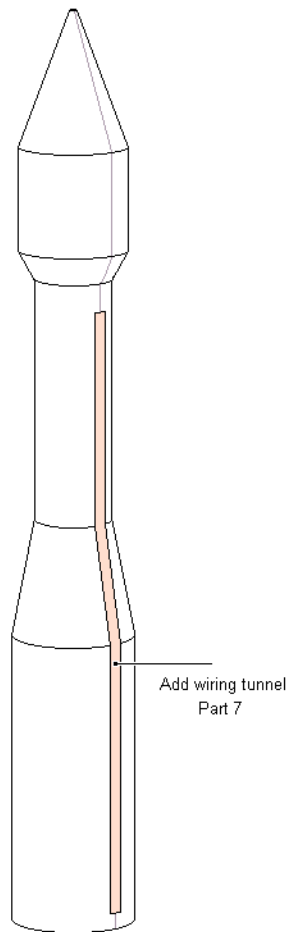
1 inch



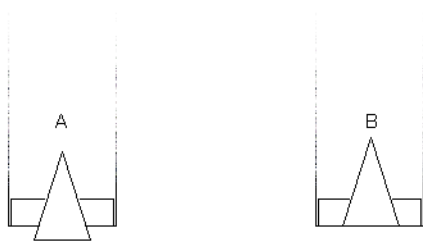
Instructions for building the VEGA rocket.



Instructions for building the VEGA rocket.



Glue the assembled engine into place.
Keep the seam at the back side of the rocket.



The engine should be placed as shown in example A,
but if you want to make the rocket sit very stable,
insert the engine a little deeper, as shown in
example B.



Picture / artist impression: Arianespace/ESA France (internet)